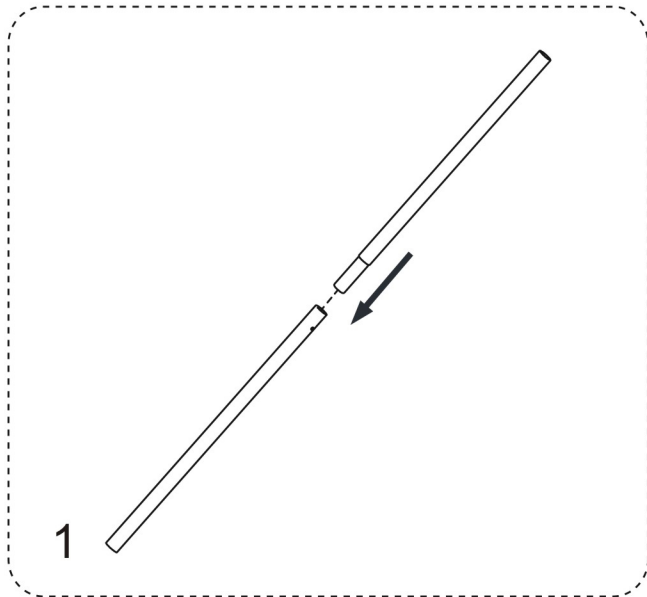
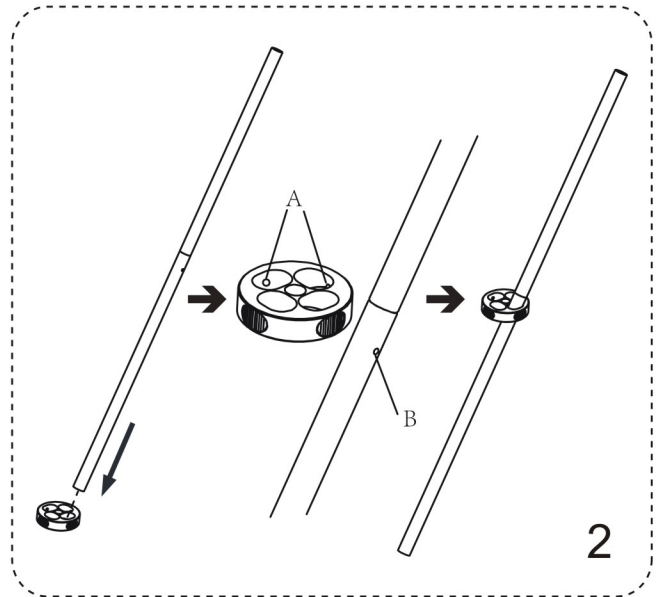


INSTRUCTION

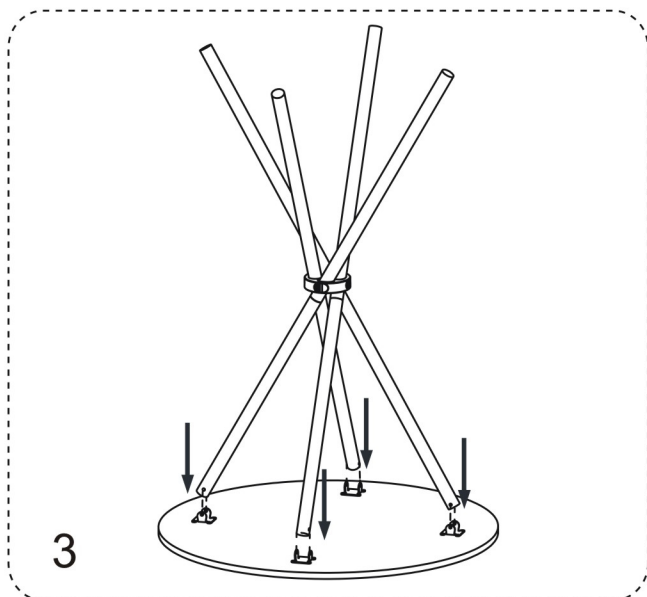
Cocktail Table



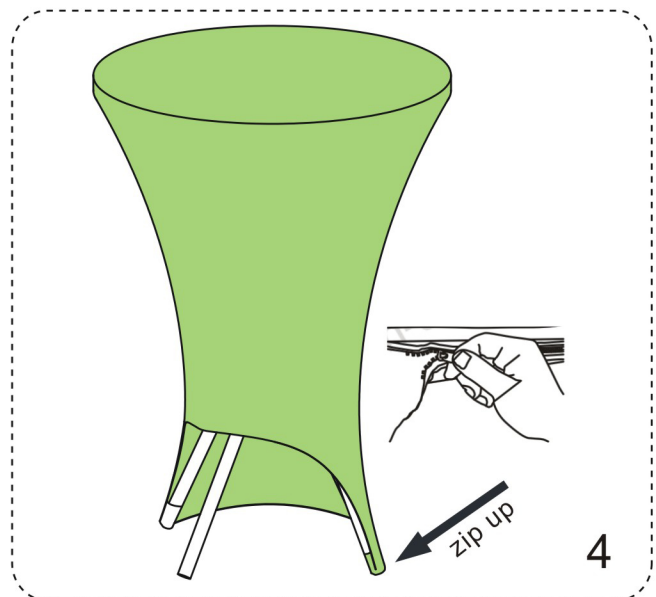
1 To connect short pole to be long pole.



2 To put the pole through the plastic ring and clip it into position.



3 To clip each pole into position.



4 To wear the table cloth and put each pole leg into the small pocket, then zip up.

